

► **Code Number**

3912697

► **Description**

Exposed Urinal Flushometer, for 3/4" top spud urinals.

► **Flush Cycle**

Model 186-0.5 High Efficiency (0.5 gpf/1.9 Lpf)

► **Specifications**

Quiet, Exposed, Diaphragm Type, Chrome Plated Urinal Flushometer with the following features:

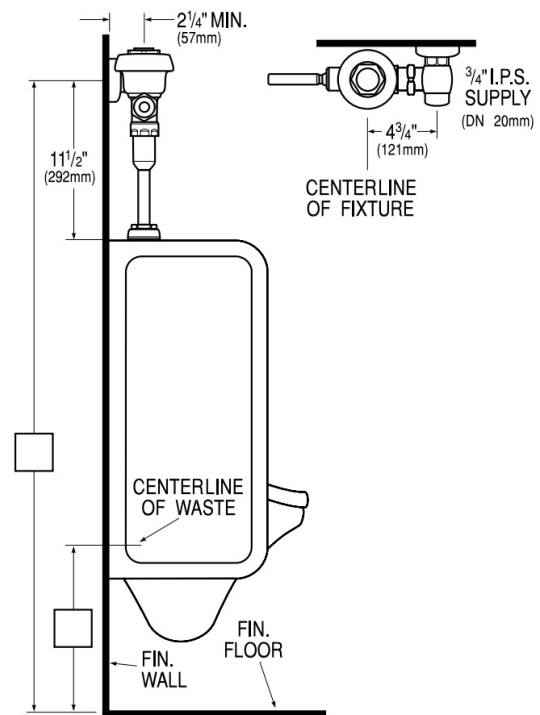
- PERMEX® Synthetic Rubber Diaphragm with Dual Filtered Fixed Bypass
- ADA Compliant Metal Oscillating Non-Hold-Open Handle with Triple Seal Handle Packing
- Spud Coupling and Flange for 3/4" Top Spud
- Sweat Solder Adapter with Cover Tube & Cast Wall Flange with Set Screw
- Non-Hold-Open Handle, Fixed Metering Bypass and No External Volume Adjustment to Ensure Water Conservation
- Flush Accuracy Controlled by CID Technology
- Diaphragm, Handle Packing and Vacuum Breaker to be molded from PERMEX® Rubber Compound for Chloramine Resistance

► **Accessories (Sold Separately)**

See Accessories Section of the Sloan catalog for details on these and other Flushometer variations.

► **Fixtures**

Consult factory for matching Sloan brand fixture options.



► **Compliance & Certifications**



Made In The
USA



This space for Architect/Engineer Approval